

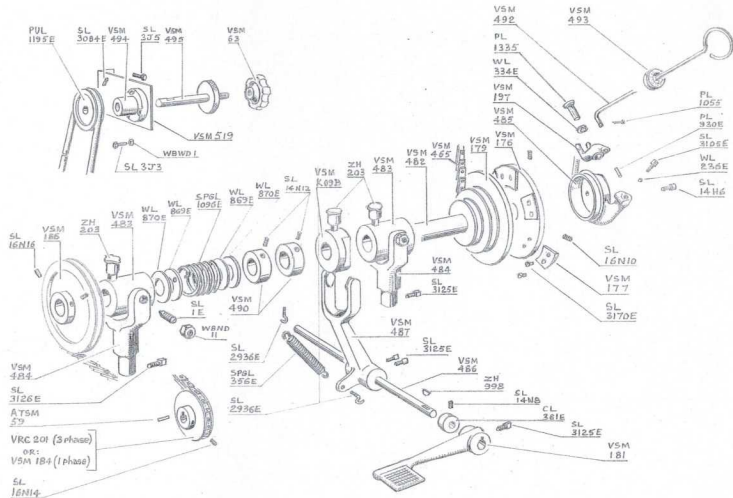
## IMPORTANT

WHEN ORDERING REPLACEMENT PARTS IT IS ESSENTIAL THAT THE FULL PART NUMBER, INCLUDING ANY LETTERS WHICH MAY APPEAR BEFORE OR AFTER THE FIGURES, BE QUOTED, TOGETHER WITH THE TITLE OF THE MACHINE.

THE TITLE OF THIS MACHINE IS "No. 75 OUTSOLE STITCHING MACHINE"

WHERE TWO OR MORE NUMBERS ARE BRACKETED TOGETHER IN THE PARTS LIST AND GIVEN A COLLECTIVE NUMBER, OR "PLUS" NUMBER, THIS DENOTES THAT THEY ARE STOCKED ASSEMBLED TOGETHER AND NOT NORMALLY SUPPLIED SEPARATELY.

Countershaft, Clutch and Bobbin Winder	Illustration	9/1
	Parts List	9/2 & 3
Head and Liquid Wax Pot	Illustration	9/4
	Parts List	9/5 & 6
Camshaft and Drive	Illustration	9/7
	Parts List	9/8
Head Cover and Hard Wax Pot	Illustration	9/9
	Parts List	9/10
Take-up and Spreader	Illustration	9/11
	Parts List	9/12
Feed	Illustration	9/13
	Parts List	9/14
Thread Lock	Illustration	9/15
	Parts List	9/16
Shuttle and Shuttle Driver	Illustration	9/17
	Parts List	9/18
Looper	Illustration	9/19
	Parts List	9/20
Table and Edge Gauge	Illustration	9/21
	Parts List	9/22
Needle and Awl Segment	Illustration	9/23
	Parts List	9/24
Presser Foot	Illustration	9/25
	Parts List	9/26
Electric Heat	Illustration	9/27
	Parts List	9/28 & 29
Motor Drive	Parts List	9/30

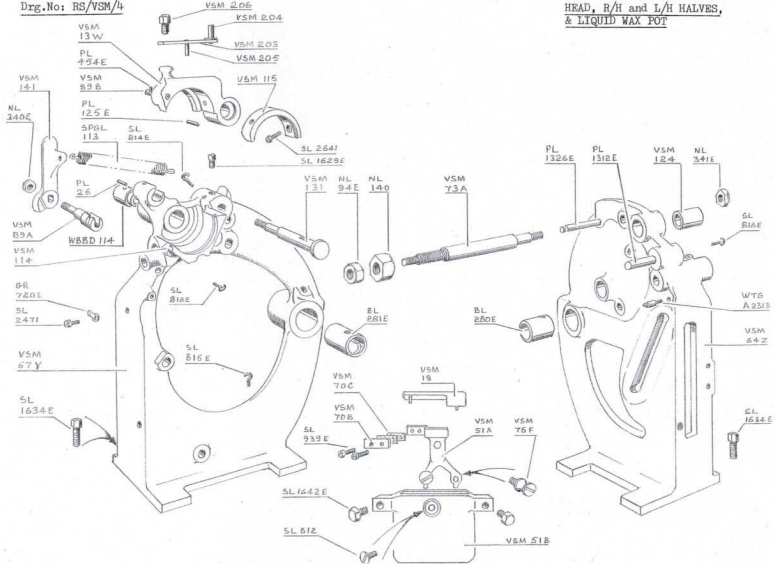


Parts list on following page.

Part No.	Description	Qty.	Collective No.
VSM 482	Countershaft	1	VSM 482+
VSM 175	Countershaft oil pad	1	
VSM 176	Clutch disc	1	VSM 176+
VSM 177	Clutch disc friction leather	6	
SL 3170E	Binding Screw for 177	12	
SL 16N10	Clutch disc set screw	2	
VSM 483	Bearing	2	
ZH 203	Bearing oil cup	2	
VSM 484	Bearing fork	2	VSM 186+
SL 3126E	Bearing fork set screw	2	
SL 1E	Bearing pivot screw	4	
WBND 11	Bearing pivot screw lock nut	4	
VSM 179	Clutch pulley	1	
VSM K09B	Clutch thrust collar	1	
ZH 203	Clutch thrust collar oil cup	1	
VSM 490	Clutch thrust collar retaining collar	1	
SL 14N12	Clutch thrust collar retaining collar set screw	1	
SPGL 1096E	Clutch spring	1	
WL 869E	Clutch spring thrust washer (with hole)	2	
WL 870E	Clutch spring thrust washer	2	
VSM 490	Clutch spring retaining collar	1	
SL 14N12	Clutch spring retaining collar set screw	1	
VSM 186	Countershaft driving pulley	1	
SL 16N16	Set screw for 186	2	
VSM 485	Bobbin winder belt ring	1	
PL 930E	Stop pin for 485	1	
SL 14H6	Bobbin winder belt ring binding screw	2	
WL 1304E	Bobbin winder belt ring binding screw washer	2	
VSM 488	Bobbin winder belt ring support bar	1	
SL 3149E	Bobbin winder belt ring support bar binding screw	2	
VSM 181	Clutch treadle	1	
SL 3125E	Treadle set screw	1	
VSM 486	Treadle spindle	1	

Part No.	Description	Qty.	Collective No.
ZH 998	Treadle spindle key	1	
FL 18E	Treadle spindle oil felt	2	
CL 361E	Treadle spindle collar	1	
SL 14N8	Treadle spindle collar set screw	1	
VSM 487	Clutch lever	1	
SL 3125E	Clutch lever set screw	2	
SPGL 356E	Clutch lever spring	1	
SL 2936E	Clutch lever spring hook	2	
VSM 465	Machine driving belt	1	
VSM 495	Bobbin winder spindle	1	
FL 65E	Bobbin winder spindle felt	1	
VSM 494	Bobbin winder spindle bracket	1	
SL 3J3	Bobbin winder spindle bracket binding screw	3	
WBWD 1	Bobbin winder spindle bracket binding screw washer	3	
VSM 63	Bobbin winder clamp nut	1	
PUL 1195E	Bobbin winder driving pulley	1	PUL 1195E
SL 3084E	Set screw for PUL 1195E	1	
VSM 519	Bobbin winder pulley bearing bracket	1	
SL 3J5	Bobbin winder pulley bearing bracket binding screw	2	
VSM 197	Belt shipper	1	
PL 1335	Belt shipper fulcrum pin	1	
WL 334E	Belt shipper fulcrum pin washer	1	
SL 3105E	Belt shipper fulcrum pin set screw	1	
WL 236E	Belt shipper fulcrum pin set screw seating	1	
VSM 492	Belt shipper operating rod	1	
PL 1055	Belt shipper operating rod cotter pin	1	
VSM 493	Belt shipper operating rod grommet (in front panel)	1	

Round leather bobbin winder belt; 5/16". dia. by 54 ins. long  
(8mm dia. by 1372mm long)

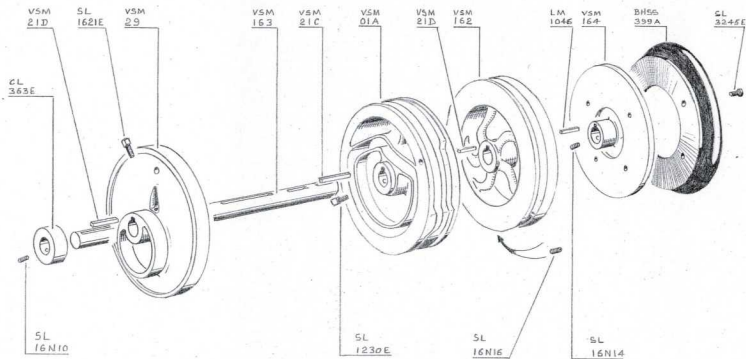


Part No.	Description	Qty.	Collective No.
VSM 67Y	Head (L.H. half)	1	<div style="border: 1px solid black; padding: 5px; display: inline-block;">           VSM 89B+         </div> <div style="margin-left: 20px;">           VSM 13W+         </div>
VSM 114	Head steel piece	1	
SL 1088	Steel piece screw (long)	1	
SL 1622	Steel piece screw (short)	1	
VSM 13W	Shuttle bearing cap	1	
VSM 115	Shuttle bearing cap steel piece	1	
SL 2641	Binding Screw for 115	2	
VSM 89B	Cap lock pin	1	
PL 454E	Lock lever stop pin	1	
PL 125E	Shuttle bearing cap stop pin	1	
VSM 131	Bearing cap and gear segment stud	1	
SL 1629E	Set screw for 131	1	
PL 26	Shuttle bearing lock lever stop pin	1	
SL 814E	Lock lever spring hook	1	
SL 816E	Looper spring lever spring hook	1	
SL 816E	Looper hook lever spring hook	1	
BL 281E	Head bush	1	
VSM 141	Shuttle bearing lock lever	1	
VSM 89A	Shuttle bearing lock lever pin	1	
NL 340E	Shuttle bearing lock lever pin nut	1	
SPGL 113	Shuttle bearing lock lever spring	1	
SL 1634E	Head (L.H. half) binding screw	2	
FL 64E	Shuttle driver oil felt	1	
FL 66E	Camshaft oil felt	1	
FL 64E	Looper swivel pin oil felt	1	
FL 64E	Take up lever oil felt	1	
VSM 203	Spare bobbin holder	1	
VSM 204	Spare bobbin holder pin	1	
VSM 205	Spare bobbin holder lock pin	1	
VSM 206	Binding screw for 203+	1	
GR 720E	Thread holder (in L.H. head)	1	
SL 2471	Thread holder binding screw (in L.H. head)	1	
VSM 64Z	Head (R.H. half)	1	
BL 280E	Head bush	1	
PL 1326E	Looper spring pin	1	
VSM 124	Presser foot cam lever bush	1	
PL 1312E	Pin for 69+	1	
SL 816E	Thread lock spring hook	1	
WTG A2313	Thread eye	1	
SL 1634E	Head (R.H. half) binding screw	2	

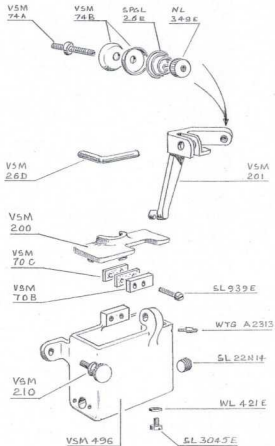
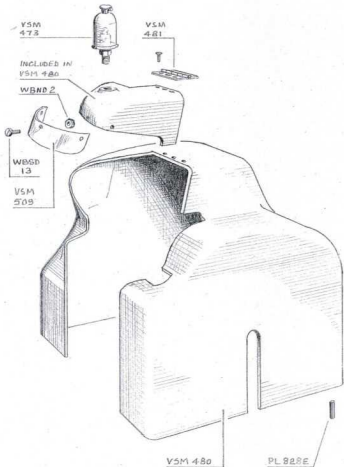
Continued on next page...

Part No.	Description	Qty.	Collective No.
FL 6	Camshaft oil felt	1	
FL 65E	Oil felt for 69+	1	
FL 18E	Presser foot lever oil felt	1	
VSM 73A	Head tie rod	1	
NL 34IE	Head tie rod nut	1	
NL 94E	Head tie rod nut (L.H.)	1	
NL 140	Head tie rod nut (large)	1	
VSM 497	Head thread guide	1	
SL 3245E	Head thread guide screw (in column)	2	
VSM 51B	Liquid wax pot	1	
SL 1642E	Liquid wax pot binding screw	2	
VSM 19	Liquid wax pot cover	1	
VSM 51A	Thread guide bracket	1	
VSM 76F	Thread guide screw	2	
VSM 70C	Thread guide stripper	2	
VSM 70B	Thread guide stripper plate	1	
SL 939E	Binding screw for 70B	2	
SL 612	Thread guide bracket binding screw	1	
WBBD 114	Shuttle Driver Bush	1	included in VSM 67Y+





Part No.	Description	Qty.	Collective No.
VSM 163	Camshaft	1	
VSM 162	Camshaft driving pulley	1	VSM 162+
SL 16N16	Camshaft driving pulley set screw	1	
VSM 21D	Driving pulley key	1	
VSM 164	Handwheel adaptor	1	VSM 164+
SL 16N14	Handwheel adaptor set screw	1	
BHSS 399A	Handwheel	1	
SL 3245E	Handwheel binding screw	4	
LM 1046	Handwheel adaptor key	1	
VSM 01A	Main cam	1	
VSM 21C	Main cam key	1	
SL 1230E	Main cam set screw	1	
VSM 29	Take up cam	1	
VSM 21D	Take up cam key	1	
SL 1621E	Take up cam set screw	1	
CL 363E	Camshaft end collar	1	
SL 16N10	Set screw for CL 363E	1	



Part No.	Description	Qty.	Collective No.
VSM 480	Head cover	1	VSM 480+
PL 828E	Head cover pin	2	
VSM 481	Head cover hinge	1	
	Head cover hinge rivet - 3/4"x1/8" Steel	6	
VSM 473	Head cover lubricator	1	
VSM 509	Perspex guard	1	
WBSD 13	Perspex guard binding screw	3	VSM 496+
WBND 2	Perspex guard binding screw nut	3	
VSM 496	Hard wax pot	1	
WTG A2313	Thread guide	1	
VSM 210	Hard wax pot binding screw	2	
VSM 200	Hard wax pot cover	1	
SL 3045E	Drain Plug	2	
WL 421E	Drain plug washer	2	
VSM 201	Thread guide	1	
VSM 26D	Thread guide pin	1	
VSM 74A	Thread guide tension stud	1	
VSM 74B	Thread guide tension stud washer	2	
SPGL 26E	Thread guide tension stud spring	1	
NL 349E	Thread guide tension stud nut	1	
VSM 70C	Stripper (rubber)	2	
VSM 70B	Stripper plate	1	
SL 939E	Stripper plate screw	2	

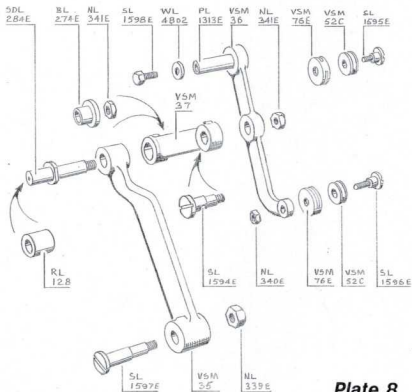


Plate 8

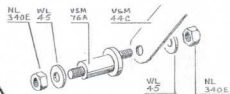
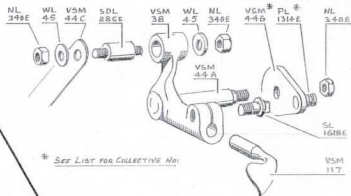
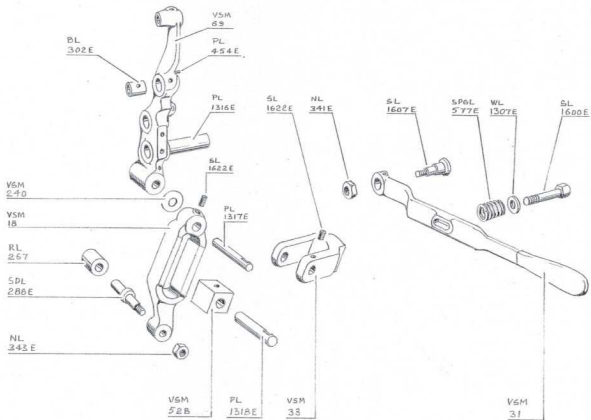


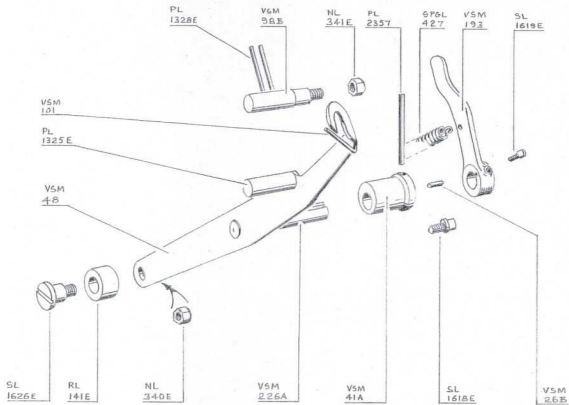
Plate 9

Part No.	Description	Qty.	Collective No.
VSM 35	Take up cam lever	1	
SL 1597E	Take up cam lever fulcrum screw	1	
NL 339E	Fulcrum screw nut	1	
RL 128	Take up cam roll	1	
SDL 284E	Take up cam roll stud	1	
NL 341E	Cam roll stud nut	1	
VSM 37	Take up link	1	
BL 274E	Take up link bush	1	
SL 1594E	Take up link screw	1	
NL 341E	Take up link screw nut	1	
VSM 36	Take up lever	1	VSM 36+
PL 1313E	Take up lever fulcrum pin	1	
WL 4802	Washer for PL 1313E	1	
SL 1598E	End screw for PL 1313E	1	
VSM 52C	Take up thread roll	1	
VSM 76E	Thread roll guard	1	
SL 1596E	Thread roll guard screw	1	
NL 340E	Thread roll guard nut	1	
VSM 52C	Thread roll (in L.H. Head)	1	
VSM 76E	Thread roll guard (in L.H. Head)	1	
SL 1595E	Thread roll guard screw (in L.H. Head)	1	
VSM 38	Spreader lever	1	VSM 38+
VSM 44A	Spreader lever shaft	1	
VSM 44G	Spring collar for 44A	1	VSM 44S
PL 1314E	Spring collar pin for 44A	1	
NL 340E	Nut for 44A	1	
VSM 117	Spreader point	1	
SL 1618E	Spreader point clamp screw	1	
VSM 44C	Spreader lever connecting link	1	
SDL 285E	Connecting link stud (front)	1	
WL 45	Washer for SDL 285E	2	
NL 340E	Nut for SDL 285E	2	
VSM 76A	Connecting link stud (rear)	1	
WL 45	Washer for 76A	2	
NL 340E	Nut for 76A	2	



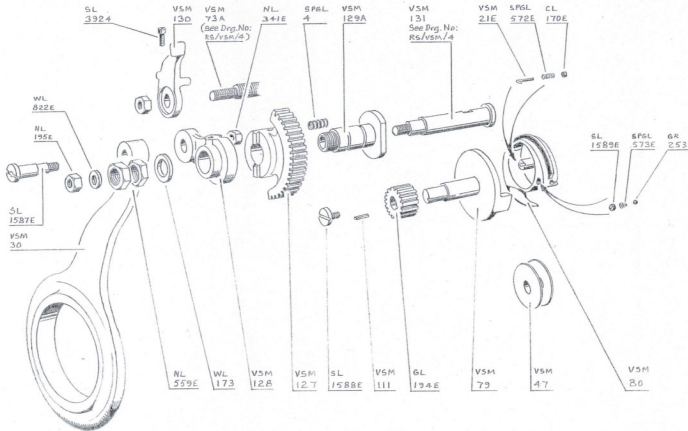
Part No.	Description	Qty.	Collective No.
VSM 18	Feed cam lever	1	
RL 267	Cam lever cam roll	1	
SDL 286E	Cam roll stud	1	
NL 343E	Cam roll stud nut	1	
VSM 240	Cam lever packing washer	1	
VSM 33	Cam lever fork	1	
VSM 52B	Cam lever fork block	1	
PL 1318E	Pin for 33 and 52B	1	
SL 1622E	Set screw for PL 1318E	1	
SPGL 577E	Lever fork friction spring	1	
WL 1307E	Lever fork friction spring washer	1	
SL 1600E	Lever fork friction screw	1	
VSM 31	Feed change lever	1	
FL 63E	Feed change lever oil felt	1	
SL 1607E	Feed change lever fulcrum stud	1	
NL 341E	Feed change lever fulcrum stud nut	1	
VSM 69	Needle and Awl segment carrier	1	
BL 302E	Carrier bush	1	VSM 69+
PL 1316E	Carrier fulcrum pin	1	
PL 454E	Spring collar stop pin	1	
PL 1317E	Lever pin	1	
SL 1622E	Lever pin set screw	1	





Parts List on following page.

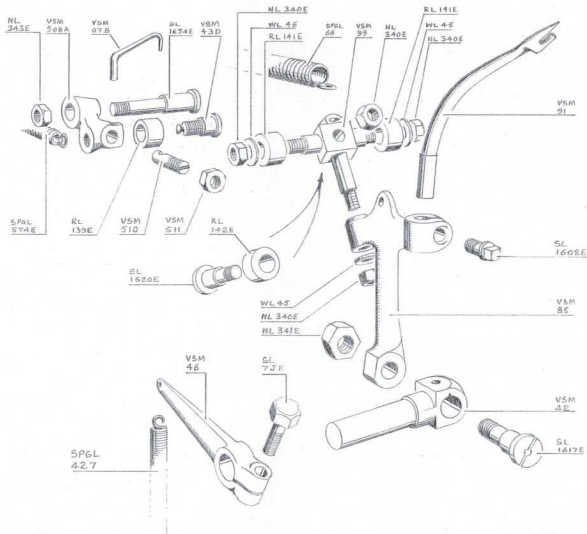
Part No.	Description	Qty.	Collective No.
VSM 48	Thread lock cam lever	1	VSM 227
VSM 226A	Thread lock lever shaft	1	
VSM 101	Thread lock pin	1	
PL 1325E	Thread lock cam lever pin	1	
RL 141E	Thread lock cam roll	1	
SL 1626E	Cam roll stud	1	
NL 340E	Cam roll stud nut	1	
VSM 41A	Thread lock cam lever adjusting bush	1	VSM 41A+
PL 2357	Handle for 41A	1	
SL 1618E	Binding screw for 41A+	1	
VSM 193	Thread lock hand release lever	1	
VSM 26B	Release lever key	1	VSM 98B+
SL 1619E	Release lever set screw	1	
SPGL 427	Release lever spring	1	
VSM 98B	Thread lock pin	1	VSM 98B+
PL 1328E	Thread lock pin guide pin	2	
NL 341E	Thread lock pin nut	1	



Parts List on following page

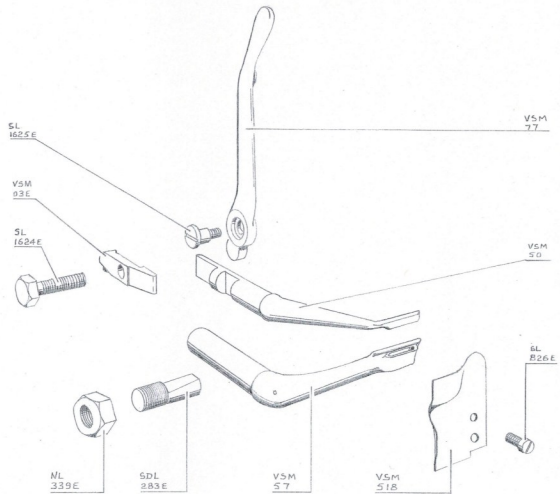
Part No.	Description	Qty.	Collective No.
VSM 30	Shuttle connecting rod	1	
SL 1587E	Shuttle connecting rod stud	1	
NL 341E	Shuttle connecting rod stud nut	1	
VSM 127	Shuttle gear segment	1	
SPGL 4	Shuttle gear segment spring	6	
VSM 128	Shuttle gear segment driving arm	1	
VSM 129A	Shuttle gear segment bush	1	
WL 173	Shuttle gear segment bush washer	1	
NL 559E	Shuttle gear segment bush nut	2	
VSM 131	Shuttle bearing cap and gear segment stud	1	
WL 822E	Washer for 131	1	
NL 195E	Nut for 131	1	
VSM 130	Shuttle gear segment stop	1	
VSM 73A	Shuttle gear segment stop tie rod stud	1	
SL 3924	Shuttle gear segment stop screw	1	
GL 194E	Shuttle gear	1	
VSM 79	Shuttle gear driver	1	
VSM 111	Shuttle gear driver key	1	
SL 1588E	Shuttle gear binding screw	1	
VSM 80	Shuttle	1	
VSM 21E	Bobbin guard latch	1	
SPGL 572E	Bobbin guard latch spring	1	
CL 170E	Bobbin guard latch spring collar	1	
GR 253	Tension ball	1	
SPGL 573E	Tension ball spring	1	
SL 1589E	Tension ball spring screw	1	
VSM 47	Bobbin	1	

VSM 80+



Parts List on following page

Part No.	Description	Qty.	Collective No.
VSM 85	Looper cam lever	1	
VSM 42	Looper cam lever swivel pin	1	
VSM 46	Looper spring lever	1	
SL 7J11	Looper spring lever binding screw	1	
SPGL 427	Looperspring (side)	1	
SL 1617E	Looper cam lever fulcrum screw	1	
NL 341E	Nut for SL1617E	1	
VSM 91	Looper	1	
SL 1608E	Looper binding screw	1	
RL 142E	Cam roll (side throw)		
SL 1620E	Cam roll screw	1	
NL 340E	Cam roll screw nut	1	
RL 141E	Cam roll (forward throw)	2	
WL 45	Cam roll washer	2	
NL 340E	Cam roll nut	2	
VSM 99	Cam roll stud	1	
WL 45	Cam roll stud washer	1	
NL 340E	Cam roll stud nut	1	
FL 63E	Cam roll stud oil felt	1	
SPGL 66	Looper spring (back)	1	
VSM 508A	Looper hook lever	1	
SL 1654E	Looper hook lever stud	1	
NL 343E	Looper hook lever stud nut	1	
RL 139E	Looper hook lever cam roll	1	
VSM 43D	Looper hook lever cam roll stud	1	
VSM 07B	Looper hook	1	
VSM 510	Looper hook binding stud	1	
VSM 511	Looper hook binding stud nut	1	
SPGL 574E	Looper hook spring	1	



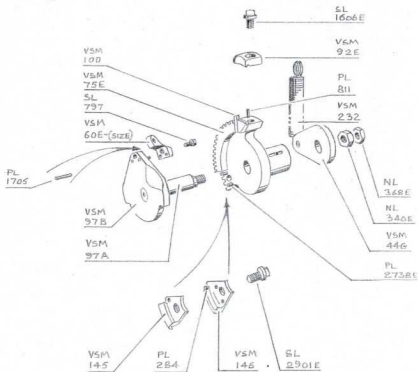
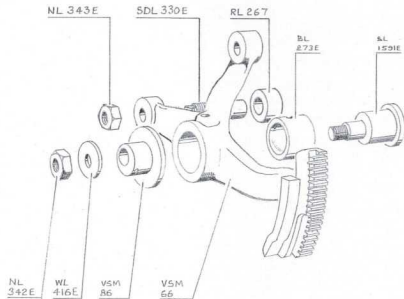
Parts List on following page

Part No.	Description	Qty.	Collective No.
VSM 57 *	Table	1	
SDL 283E	Table binding stud	1	
NL 339E	Table binding stud nut	1	
VSM 50	Edge gauge	1	
VSM 03E	Edge gauge clamp	1	
SL 1624E	Edge gauge clamp binding screw	1	
VSM 77	Edge gauge lever	1	
SL 1625E	Edge gauge lever fulcrum screw	1	
VSM 518	Shield	1	
SL 826E	Shield binding screw	2	

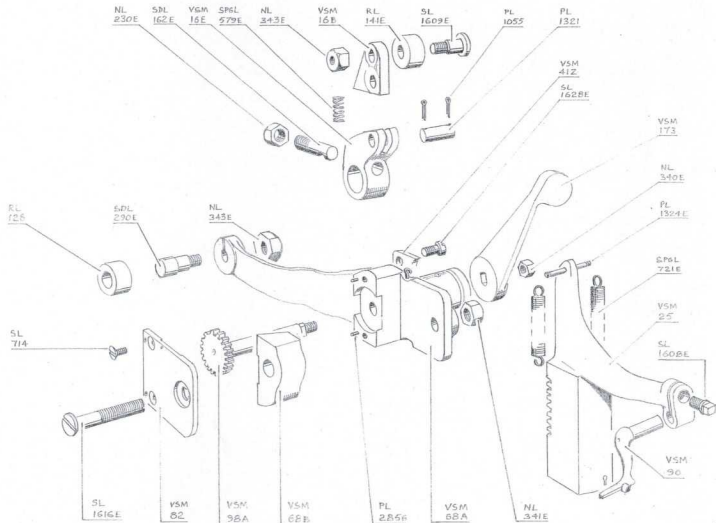
\* To order only -

VSM 57A	Table for Women's work
VSM 57D	Table for Women's light through soles
VSM 57B	Table for stitched down and Veldtschoen work
VSM 57C	Table for heavy work

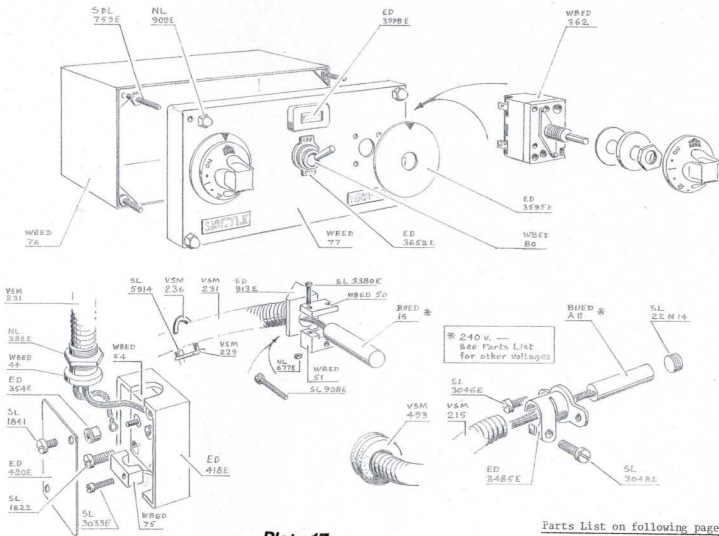




Part No.	Description	Qty.	Collective No.
VSM 66	Needle and awl segment driver	1	VSM 66+
BL 273E	Needle and awl segment driver bush	1	
FL 65E	Needle and awl segment driver felt	1	
RL 267	Cam roll	1	
SDL 330E	Cam roll eccentric stud	1	
NL 343E	Cam roll eccentric stud nut	1	
SL 1591E	Needle and awl segment driver fulcrum screw	1	
VSM 86	Driver adjusting bush	1	
WL 416E	Driver adjusting bush retaining washer	1	
NL 342E	Driver adjusting bush retaining nut	1	
VSM 75E	Needle and awl segment	1	VSM 147
VSM 100	Needle stop	1	
PL 2738E	Awl clamp pin	2	
PL 811	Needle clamp pin	1	
VSM 92E	Needle clamp	1	
SL 1606E	Needle clamp binding screw	1	
VSM 145	Awl clamp	1	VSM 146+
VSM 146	Awl clamp strap	1	
PL 284	Awl stop pin	1	
SL 2901E	Awl clamp strap binding screw	1	
VSM 97A	Needle guide lever shaft	1	VSM 97A+
VSM 97B	Needle guide lever	1	
PL 1705	Needle guide locating pin	2	
**	Needle Guide	1	VSM 44G+
SL 797	Needle guide binding screw	1	
VSM 44G	Spring collar	1	
PL 2482E	Lever shaft spring collar pin	1	
NL 340E	Lever shaft nut	1	
NL 368E	Lever shaft lock nut	1	
VSM 232	Needle guide spring	1	
**			
VSM 60E-43	Needle guide size 43		
VSM 60E-45	Needle guide size 45		
VSM 60E-47	Needle guide size 47		



Part No.	Description	Qty.	Collective No.
VSM 90	Presser foot	1	
VSM 90Z	Presser foot (for deep channelled work (to order)	1	
VSM 90Y	Presser foot (for slitting knife) (to order)	1	
KZG 318E	Slitting knife (to order)	1	
SL 877E	Slitting knife binding screw (to order)	1	
SL 1608E	Presser foot binding screw	1	
VSM 25	Presser foot holder	1	
PL 1324E	Presser foot spring pin	1	VSM 25+
VSM 68A	Presser foot cam lever	1	
SL 814E	Cam lever spring hook	1	VSM 68A+
PL 2856	Cam lever plate pin	2	
VSM 68B	Cam lever block	1	
SL 1616E	Cam lever block binding screw	1	
NL 341E	Nut for SL 1616E	1	
VSM 82	Cam lever plate	1	
SL 714	Cam lever plate binding screw	2	
SPGL 721E	Presser foot spring	2	
VSM 41Z	Cam lever stop	1	
SL 1628E	Cam lever stop binding screw	1	
RL 128	Cam roll	1	
SDL 290E	Cam roll stud	1	
NL 343E	Cam roll stud nut	1	
VSM 98A	Presser foot raising gear	1	
VSM 173	Presser foot raising handle	1	
NL 340E	Nut for 173	1	
VSM 16E	Presser foot release lever	1	
SDL 162E	Binding stud for 16E	1	
NL 230E	Nut for 16E	1	
VSM 16B	Presser foot release link	1	
PL 1321E	Presser foot release link fulcrum pin	1	
PL 1055	Cotter pin for PL 1321E	2	
RL 141E	Presser foot release link cam roll	1	
SL 1609E	Cam roll screw	1	
NL 343E	Cam roll nut	1	
SPGL 579E	Presser foot release spring	1	



Part No.	Description	Qty.	Collective No.
WBED 76	Heat control box	1	WBED 79
SDL 759E	Heat control box stud	4	
WBED 77	Heat control box cover	1	
NL 909E	Heat control box cover nut	4	
WBED 362	Simmerstat complete	2	
ED 3595E	Simmerstat dial	2	
ED 3998E	Indicator lamp	1	
WBED 80	Mains switch	1	
ED 3652E	Mains switch indicator	1	
SL 3044E	Earth screw	1	
WL 780	Earth screw washer	1	
ED 3783E	Mains lead grip gland	1	
WBMF 75A	Mains lead grip gland nut	2	
VSM 493	Mains lead grommet (in rear panel)	1	
VSM 231	Shuttle heat unit conduit	1	
ED 913E	Shuttle heat unit conduit elbow	1	
WBED 44	Shuttle heat unit conduit adaptor	1	
NL 382E	Shuttle heat unit conduit adaptor nut	1	
SL 908E	Shuttle heat unit conduit elbow binding screw	1	VSM 229+
VSM 229	Flexible tubing hook plate	1	
VSM 236	Flexible tubing hook plate stem	1	
SL 5914	Flexible tubing hook binding screw	1	
VSM 120	Heat unit junction box plate	1	
SL 1808	Heat unit junction box plate screw	2	
ED 418E	Heat unit junction box	1	
SL 2337	Heat unit junction box binding screw	2	
WBED 54	Junction box insulating block	1	
WBED 51	Heat unit support	1	
WBED 50	Heat unit lead clamp	1	
SL 3380E	Heat unit lead clamp screw Nut - NL 677E	2	
WBED 75	Heat unit lead clamp (Lower)	1	
SL 3033E	Heat unit lead clamp screw	1	
ED 646E	Junction box insulating block mica sheet	1	
SL 1822	Junction box insulating block screw	1	
ED 354E	Junction box insulating block terminal	2	
ED 420E	Junction box cover	1	
SL 1841	Junction box cover binding screw	2	

Part No.	Description	Qty.	Collective No.
VSM 500	Lead conduit	1	VSM 500+
ED 915E	Lead conduit bush	1	
ED 868E	Lead conduit bush	1	
NL 382E	Lead conduit bush nut	1	
SL 22N14	Wax pot heat unit end plug	1	
VSM 215	Wax pot heat unit lead conduit	1	VSM 215+
ED 3065E	Bush for 215	1	
NL 382E	Heat unit conduit nut	1	
WL 22E	Heat unit conduit nut washer	1	
ED 3485E	Heat unit conduit clip	1	
SL 3048E	Heat unit conduit clip screw	1	
SL 3046E	Heat unit conduit clip binding screw	2	
VSM 493	Heat unit conduit grommet (in side panel(RH))	1	

ELECTRIC HEAT UNITS

Voltage as ordered

BUED A17	Shuttle heat unit 200-220 Volts 90 Watts
BUED A15	Shuttle heat unit 240 Volts 90 Watts
BUED A13	Wax pot heat unit 200-220 Volts 60 Watts
BUED A11	Wax pot heat unit 240 Volts 60 Watts

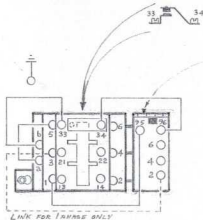
Part No.	Description	Qty.	Collective No.
	Motor ( $\frac{3}{4}$ h.p., 1,420 r.p.m.), Voltage as required	1	
SL 7J11	Motor binding screw	4	
	Motor lead conduit flexible $\frac{1}{2}$ in.(12.7 mm) by $\frac{5}{8}$ in.(15.9 mm)		
ED 3705E	Motor lead conduit ferrule (to motor)	1	
SL 4142	Motor lead conduit ferrule screw	1	
WBMF 75A	Motor lead conduit ferrule nut	1	
ED 3041E	Motor lead conduit elbow (to starter)	1	
SL 4142	Motor lead conduit elbow screw	1	
WBMF 75A	Motor lead conduit elbow nut	1	
VSM 493	Mains lead grommet (in rear panel)	1	
VRC 201	Motor pulley	1	} VRC 201+ = 3 phase
SL 16N14	Screw for VRC 201	1	
VSM 184	Motor pulley	1	} VSM 184+ = Single phase
SL 16N14	Screw for 184	1	
ATSM 59	Motor pulley key	1	
	Motor pulley belt ( $\frac{1}{2}$ in.(12.7mm) by 40°, 2ft. 11in.(889mm)long)	1	
WBED 330	Motor starter, 3 phase	1	
WBED 332	Motor starter, 1 phase	1	



MAINS CONNECTIONS

3ph: 1,3,5 on Contactor.

1ph: 1,5 on Contactor and link 3 on Contactor with 2 on Overload.



MOTOR STARTER

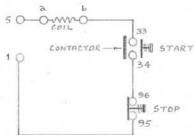
Set pointer to Full Load Amps of motor \*

MOTOR CONNECTIONS

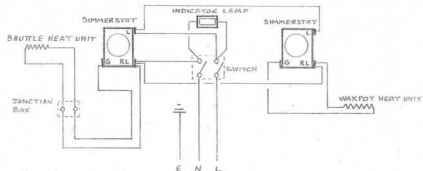
3ph: 2,4,6, on Overload.

1ph: 4,6 on Overload.

\* 220/240v.,50Hz., 1ph: set at 5.2  
380/440v.,50Hz., 3ph: set at 1.4  
For other current supplies, see motor plate.



STARTER COIL CIRCUIT



HEATER CIRCUIT

The following parts and/or instructions constitute safety devices and/or instructions in accordance with Section 6 (10) of the Health and Safety at Work etc. Act, 1974.

Part	Instructions
VSM 480+ Head Cover VSM 509 Perspex Guard	The machine must not be operated unless the Head Cover is in position and the Perspex Guard lowered.
VSM 518 Shield	The machine must not be operated unless the Shield is fitted.
VSM 477 & 478 Column Panels	The machine must not be operated unless the Column Panels are fitted.  Isolate the machine from the mains electricity supply before carrying out any maintenance work.